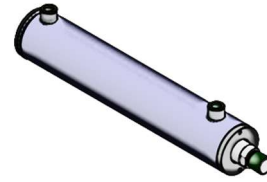
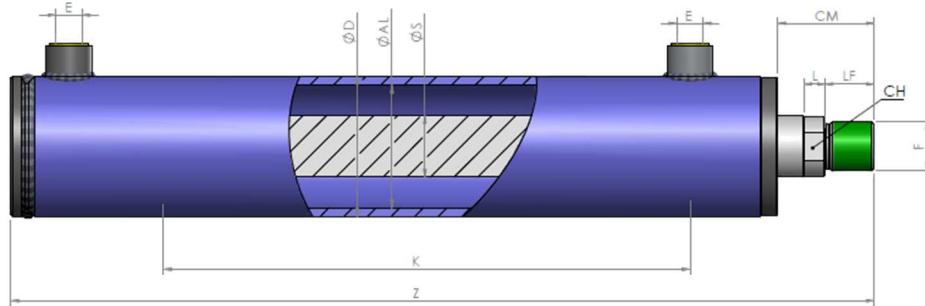


**CILINDRO DOPPIO EFFETTO TIPO "X12"**  
*DOUBLE ACTING CYLINDER "X12" TYPE*

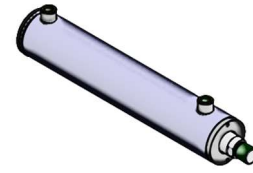


Serie  
**X12**

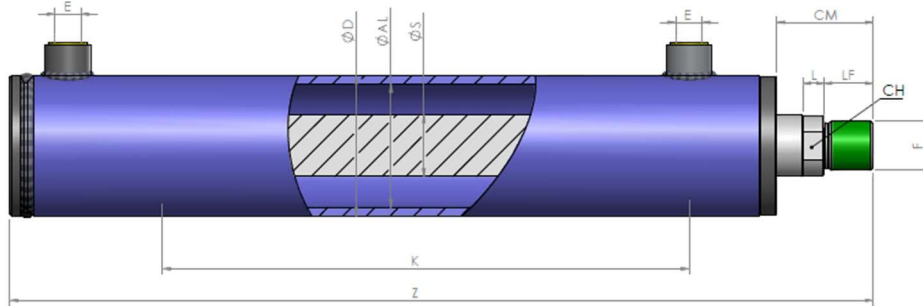


Codice Code	K	Z	Kg	E BSP	CM	F	LF	CH	L	Codice Code	K	Z	Kg
<b>ØD 42 ØAL 32 ØS 20</b>				<b>ØD 50 ØAL 40 ØS 20</b>									
X12-322050	50	185	1,27	1/4"	46	16X1.5	25	17	5	X12-4025100	100	260	2,45
X12-3220100	100	235	1,62							X12-4025150	150	310	2,92
X12-3220150	150	285	1,97							X12-4025200	200	360	3,40
X12-3220200	200	335	2,33							X12-4025250	250	410	3,86
X12-3220250	250	385	2,68							X12-4025300	300	460	4,33
X12-3220300	300	435	3,03							X12-4025350	350	510	4,80
X12-3220400	400	535	3,73							X12-4025400	400	560	5,27
X12-3220500	500	635	4,42							X12-4025450	450	610	5,74
<b>ØD 50 ØAL 40 ØS 20</b>				<b>ØD 60 ØAL 50 ØS 25</b>									
X12-4020100	100	260	2,29	1/4"	52	16X1.5	25	17 / 22	5	X12-5025500	550	710	6,68
X12-4020150	150	310	2,69							X12-5025550	550	710	6,68
X12-4020200	200	360	3,09							X12-5025600	600	760	7,14
X12-4020250	250	410	3,49							<b>ØD 60 ØAL 50 ØS 30</b>			
X12-4020300	300	460	3,83							X12-5030100	100	270	3,51
X12-4020350	350	510	4,29							X12-5030150	150	320	4,12
X12-4020400	400	560	4,69							X12-5030200	200	370	4,70
X12-4020450	450	610	5,08							X12-5030250	250	420	5,40
X12-4020500	500	660	5,49	3/8"	52	16X1.5	25	22 / 27	5	X12-5030300	300	470	6,00
<b>ØD 60 ØAL 50 ØS 25</b>										X12-5030350	350	520	6,60
X12-5025100	100	270	3,30							X12-5030400	400	570	7,20
X12-5025150	150	320	3,83							X12-5030450	450	620	7,81
X12-5025200	200	370	4,36							X12-5030500	500	670	8,42
X12-5025250	250	420	4,89							X12-5030550	550	720	9,00
X12-5025300	300	470	5,42							X12-5030600	600	770	9,70
X12-5025350	350	520	5,95							X12-5030700	700	870	10,90
X12-5025400	400	570	6,48							X12-5030800	800	970	12,10
X12-5025450	450	620	7,01							X12-50301000	1000	1170	14,60
X12-5025500	500	670	7,54										
X12-5025550	550	720	8,07										
X12-5025600	600	770	8,60										
X12-5025700	700	870	9,66										
X12-5025800	800	970	10,72										
X12-50251000	1000	1170	12,83										

**CILINDRO DOPPIO EFFETTO TIPO "X12"**  
*DOUBLE ACTING CYLINDER "X12" TYPE*

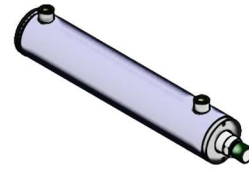


Serie  
**X12**

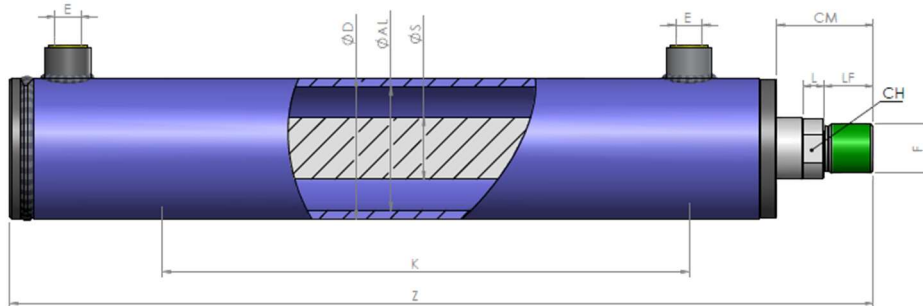


Codice Code	K	Z	Kg	E BSP	CM	F	LF	CH	L	Codice Code	K	Z	Kg
<b>ØD 70 ØAL 60 ØS 30</b>										<b>ØD 70 ØAL 60 ØS 35</b>			
X12-6030100	100	300	4,90	3/8"	63	22X1.5	32	27 / 32	8	X12-6035100	100	300	5,10
X12-6030150	150	350	5,60							X12-6035150	150	350	5,90
X12-6030200	200	400	6,20							X12-6035200	200	400	6,70
X12-6030250	250	450	6,90							X12-6035250	250	450	7,50
X12-6030300	300	500	7,60							X12-6035300	300	500	8,20
X12-6030350	350	550	8,30							X12-6035350	350	550	9,00
X12-6030400	400	600	8,90							X12-6035400	400	600	9,80
X12-6030450	450	650	9,60							X12-6035450	450	650	10,60
X12-6030500	500	700	10,30							X12-6035500	500	700	11,30
X12-6030550	550	750	11,00							X12-6035550	550	750	12,10
X12-6030600	600	800	11,60							X12-6035600	600	800	12,90
X12-6030700	700	900	12,99							X12-6035700	700	900	14,44
X12-6030800	800	1000	14,30							X12-6035800	800	1000	16,00
X12-60301000	1000	1200	17,00	X12-60351000	1000	1200	19,10						
<b>ØD 70 ØAL 60 ØS 40</b>										<b>ØD 73 ØAL 63 ØS 40</b>			
X12-6040200	200	400	7,30	3/8"	63	22X1.5	32	36	8	X12-6340200	200	400	7,50
X12-6040250	250	450	8,20							X12-6340250	250	450	8,40
X12-6040300	300	500	9,10							X12-6340300	300	500	9,30
X12-6040350	350	550	10,00							X12-6340350	350	550	10,30
X12-6040400	400	600	10,90							X12-6340400	400	600	11,20
X12-6040450	450	650	11,80							X12-6340450	450	650	12,10
X12-6040500	500	700	12,70							X12-6340500	500	700	13,00
X12-6040550	550	750	13,60							X12-6340550	550	750	13,90
X12-6040600	600	800	14,40							X12-6340600	600	800	14,80
X12-6040700	700	900	16,23							X12-6340700	700	900	16,64
X12-6040800	800	1000	18,00							X12-6340800	800	1000	18,40
X12-60401000	1000	1200	21,60							X12-63401000	1000	1200	22,10
<b>ØD 80 ØAL 70 ØS 35</b>										<b>ØD 80 ØAL 70 ØS 40</b>			
X12-7035100	100	300	6,10	3/8"	63	22X1.5	32	32 / 36	8	X12-7040100	100	300	6,48
X12-7035150	150	350	6,90							X12-7040150	150	350	7,43
X12-7035200	200	400	7,80							X12-7040200	200	400	8,40
X12-7035250	250	450	8,60							X12-7040250	250	450	9,30
X12-7035300	300	500	9,40							X12-7040300	300	500	10,30
X12-7035350	350	550	10,30							X12-7040350	350	550	11,20
X12-7035400	400	600	11,10							X12-7040400	400	600	12,20
X12-7035450	450	650	12,00							X12-7040450	450	650	13,10
X12-7035500	500	700	12,80							X12-7040500	500	700	14,10
X12-7035550	550	750	13,60							X12-7040550	550	750	15,10
X12-7035600	600	800	14,50							X12-7040600	600	800	15,99
X12-7035700	700	900	16,15							X12-7040700	700	900	17,91
X12-7035800	800	1000	17,80							X12-7040800	800	1000	19,80
X12-70351000	1000	1200	21,20	X12-70401000	1000	1200	23,60						

**CILINDRO DOPPIO EFFETTO TIPO "X12"**  
*DOUBLE ACTING CYLINDER "X12" TYPE*



Serie  
**X12**



Codice Code	K	Z	Kg	E BSP	CM	F	LF	CH	L	Codice Code	K	Z	Kg
<b>ØD 92 ØAL 80 ØS 40</b>			<b>ØD 92 ØAL 80 ØS 50</b>										
X12-8040200	200	440	11,22	1/2"	85	35X1.5	50	36 / 46	10	X12-8050200	200	440	12,47
X12-8040250	250	490	12,34							X12-8050250	250	490	13,88
X12-8040300	300	540	13,46							X12-8050300	300	540	15,28
X12-8040400	400	640	15,72							X12-8050400	400	640	18,09
X12-8040500	500	740	17,77							X12-8050500	500	740	20,90
X12-8040600	600	840	20,22							X12-8050600	600	840	23,70
X12-8040700	700	940	22,47							X12-8050700	700	940	26,50
X12-8040800	800	1040	24,72							X12-8050800	800	1040	29,50
X12-80401000	1000	1240	29,22							X12-80501000	1000	1240	35,00
<b>ØD 105 ØAL 90 ØS 50</b>													
X12-9050300	300	546	19,30	1/2"	83	35X1.5	50	46	10				
X12-9050400	400	646	22,64										
X12-9050500	500	746	25,97										
X12-9050600	600	846	29,30										
X12-9050700	700	946	32,63										
X12-9050800	800	1046	35,97										
X12-90501000	1000	1246	42,64										
<b>ØD 115 ØAL 100 ØS 50</b>			<b>ØD 115 ØAL 100 ØS 60</b>										
X12-10050200	200	470	19,60	1/2"	85	35X1.5	50	46 / 55	10	X12-10060300	300	570	25,32
X12-10050250	250	520	21,38							X12-10060400	400	670	29,52
X12-10050300	300	570	23,14							X12-10060500	500	770	33,71
X12-10050400	400	670	26,65							X12-10060600	600	870	37,90
X12-10050500	500	770	30,17							X12-10060700	700	970	42,10
X12-10050600	600	870	33,69							X12-10060800	800	1070	46,30
X12-10050700	700	970	37,21							X12-100601000	1000	1270	54,69
X12-10050800	800	1070	40,72										
X12-100501000	1000	1270	47,50										

## CARATTERISTICHE TECNICHE

### TECHNICAL SPECIFICATIONS



Serie  
**X12**

ALESAGGIO - BORE [mm]		25	32	40	50	60	63	70	80	90	100	120
FORZA IN SPINTA - OUTPUT FORCE [Kg]	p bar 100	501	820	1.281	2.002	2.883	3.179	3.924	5.126	6.487	8.009	11.533
	p bar 160	801	1.312	2.050	3.203	4.613	5.086	6.279	8.201	10.379	12.814	18.452
	p bar 250	1.251	2.050	3.203	5.005	7.208	7.947	9.811	12.814	16.218	20.022	28.831

ALESAGGIO - BORE [mm]		25	32	40		50		60		63	70		80	90	100		120	
STELO - ROD [mm]		16	20	20	25	25	30	30	35	40	40	35	40	40	50	50	60	70
FORZA IN TIRO - INPUT FORCE [Kg]	p bar 100	296	500	961	781	1.502	1.281	2.162	1.902	1.602	1.897	2.943	2.643	3.844	4.485	6.007	5.126	7.608
	p bar 160	473	800	1.538	1.249	2.403	2.050	3.460	3.043	2.563	3.036	4.709	4.229	6.151	7.176	9.610	8.201	12.173
	p bar 250	739	1.249	2.403	1.952	3.754	3.203	5.406	4.755	4.004	4.743	7.358	6.607	9.610	11.212	15.016	12.814	19.021

Pressione Massima - Max. Pressure: 250 Bar

Il dato della pressione è sempre da verificare in base all'applicazione del cilindro.

The pressure value is always to be checked depending on the application of the cylinders.

<b>PRODOTTO - PRODUCT</b>	<b>MATERIALE - MATERIAL</b>
<b>TUBO LUCIDO - LEVIGATO</b> <i>POLISHED TUBE - HONED</i>	ACCIAIO: St 52.3 DIN 2393 ISO H9 – S355 H8 <i>STEEL: St 52.3 DIN 2393 ISO H9 – S355 H8</i>
<b>STELO CROMATO</b> <i>CHROMED ROD</i>	ACCIAIO: UNI C45 - cromo 25µm Rating 9/200h - 20MnV6 <i>STEEL: UNI C45 - chrome 25µm Rating 9/200h - 20MnV6</i>
<b>TESTATA DI GUIDA</b> <i>HEAD BUSH</i>	GHISA: EN-GJL 250 ( G25-UNI 5007 / EN 1561 ) <i>HYDRAULIC CAST IRON: EN-GJL 250 (G25-UNI5007 / EN1561)</i>
<b>PISTONE</b> <i>PISTON</i>	ACCIAIO: 9SMn28 <i>STEEL: 9SMn28</i>
<b>FONDELLO</b> <i>END PLUG</i>	ACCIAIO: S355J0 (Fe510C) - S355JR (A105) <i>STEEL: S355J0 (Fe510C) - S355JR (A105)</i>
<b>BORCHIA FILETTATA</b> <i>THREADED PORT</i>	ACCIAIO <i>STEEL</i>
<b>SET GUARNIZIONI HEAD BUSH – HEAD BUSH SEAL KITS</b>	
<b>GUARNIZIONE: O-RING</b> <i>SEAL: O-RING</i>	NBR 70 SHORE NBR 70 SHORE
<b>GUARNIZIONE: GHK</b> <i>SEAL : GHK</i>	POLIURETANO <i>POLYURETHANE</i>
<b>GUARNIZIONE: TSE-TTS-TTI/L</b> <i>SEAL: TSE-TTS-TTI/L</i>	TSE: NBR+TESSUTO      TTS-TTI/L: POLIURETANO <i>TSE: NBR+FABRIC      TTS-TTI/L: POLYURETHANE</i>
<b>GUARNIZIONE: O-RNG</b> <i>SEAL: O-RING</i>	NBR 70 SHORE NBR 70 SHORE
<b>SET GUARNIZIONI PISTON – PISTON SEAL KITS</b>	
<b>GUARNIZIONE: TPM - PDP - PDH</b> <i>SEAL: TPM - PDP - PDH</i>	NBR+POM+TPE - NBR+POM+POLIURETANO - NBR+PTFE+POM <i>NBR+POM+TPE - NBR+POM+ POLYURETHANE - NBR+PTFE+POM</i>
<b>GUARNIZIONE: O-RNG</b> <i>SEAL: O-RING</i>	NBR 70 SHORE NBR 70 SHORE
Velocità Limite - Top Speed: max 0,5 m/s - Temperatura C° - Temperature C°: -25°C - +80°C	